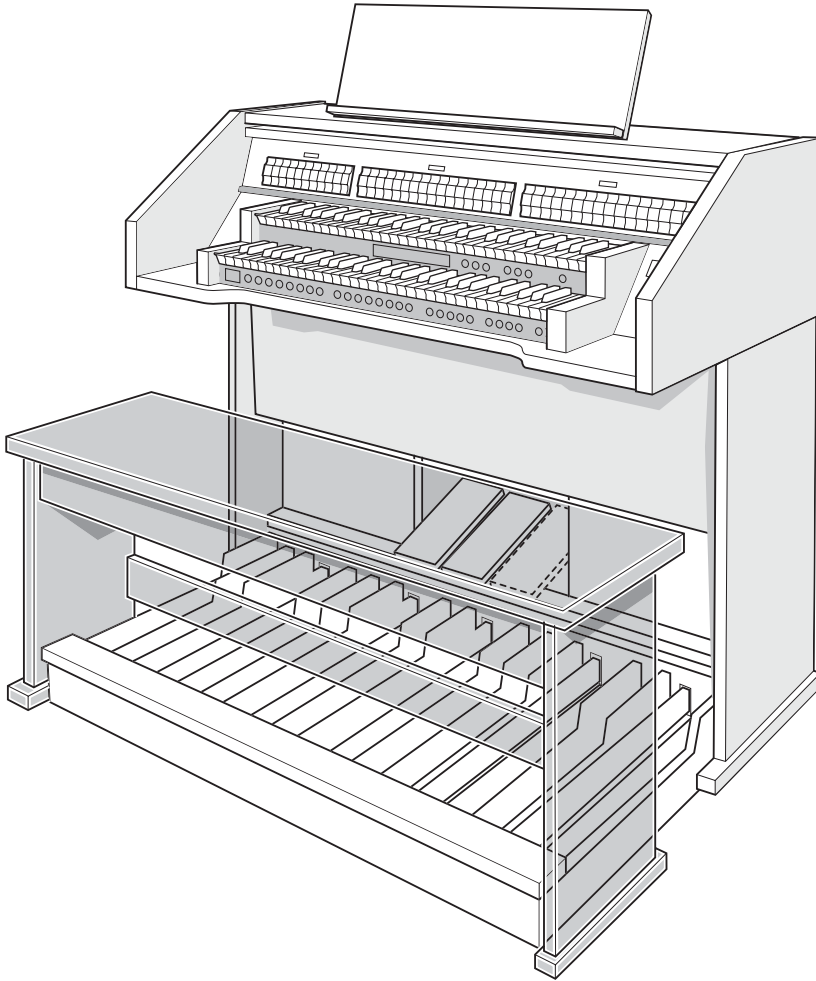

USER MANUAL

JOHANNUS OPUS 15, 25 AND 35



Manufacturer	Johannus Orgelbouw b.v.
Address	Keplerlaan 2 6716 BS EDE
Country	The Netherlands
Telephone	+31 (0)318 63 74 03
Fax	+31 (0)318 62 22 38
E-mail	inform@johannus.com
Website	www.johannus.com
Version	1.1
Date	June 2007

© 2007, **Johannus Orgelbouw b.v.**

All rights reserved. Nothing in this publication may be reproduced, stored in a data file or made public in any form or in any way either electronically, mechanically by way of photocopying, recording or in any other way without the prior written permission of Johannus Orgelbouw b.v.

TABLE OF CONTENTS

1	SAFETY	5
1.1	Safety precautions	5
1.2	Symbols on the organ	5
1.3	Symbols in the manual	5
2	INSTALLATION	6
2.1	Placement and connection	6
2.2	Switching on	7
2.3	Transport and storage	7
2.4	Opening and closing the rolltop cover	7
3	DESCRIPTION OF THE ORGAN	8
3.1	Overview of the main components	8
3.2	Overview of the Opus 15 and 25 controls	9
3.3	Overview of the Opus 35 controls	10
3.4	Connecting and switching on the accessories	11
3.5	External connections	11
4	OPERATION	13
4.1	Expression pedals	13
4.2	Acoustics	13
4.3	Intonations	13
4.4	Factory intonation	14
4.5	Stops	14
4.6	Couplers	14
4.7	Accessories	15
4.8	Changing the registration	15
4.9	Memory lock	15
4.10	Preprogrammed memory locations	15
4.11	Easy Menu	16
4.11.1	Capture memory	17
4.11.2	General Volume	17
4.11.3	Transposer	18
4.11.4	Tuning Mode	19
4.11.5	Temperaments	19
4.11.6	Keyboard Mode	20
4.11.7	Reset Procedures	21
4.11.8	Data Dump Mode	21
4.11.9	Demo Songs	21
4.11.10	Standard Intonation	22
4.11.11	General Crescendo pedal (option)	23
4.11.12	Programming MIDI stops	24
5	MAINTENANCE, PROBLEMS AND WARRANTY	25

5.1	Maintenance	25
5.1.1	Cabinet maintenance	25
5.1.2	Maintenance of the manuals	25
5.2	Problems	25
5.2.1	Repositioning the pedal	26
5.3	Warranty	26
6.1	MIDI Implementation Chart	27
6.2	MIDI specifications	28
INDEX		31

1 SAFETY

1.1 Safety precautions



- Place the organ on a stable, horizontal surface.
- Connect the organ to an electrical outlet with an earth connection.
- Switch the organ off when it is not in use.
- Do not place the organ in a damp area.
- Do not expose the organ to liquids.
- Follow the instructions and precautionary measures in this user manual.
- Keep this user manual with the organ.
- The organ may only be opened by a technician authorised by Johannus Orgelbouw b.v. The organ contains static-sensitive components. The warranty becomes null and void if the organ is opened by a non-authorised person.

1.2 Symbols on the organ



Warning



Warning for electric shock



Warning for static-sensitive components

1.3 Symbols in the manual



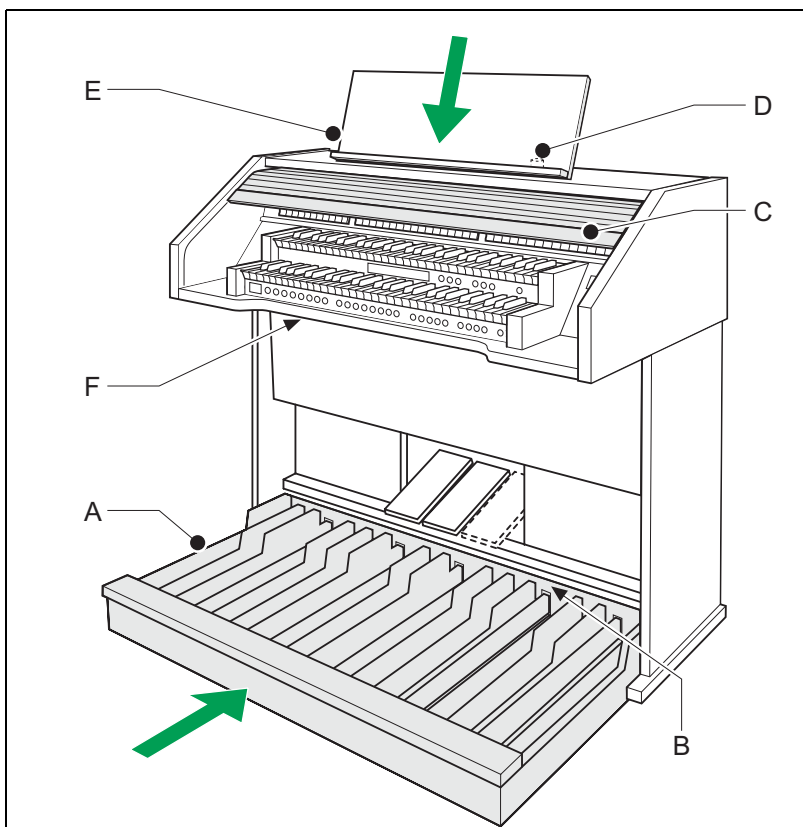
Warning or important information



Note

2 INSTALLATION

2.1 Placement and connection



1. Place the organ on a stable, horizontal surface.
2. Lean the organ slightly backward.
3. Slide the pedalboard (A) against the organ (B).
4. Set the organ upright.
5. Put the music desk (E) in the groove on the top of the organ.
6. Place the organ bench over the pedalboard.
7. Make sure the voltage of the organ matches the voltage of the mains.
See the serial plate (F).
8. Connect the organ to an electrical outlet with an earth connection.
9. Put the appropriate key in the rolltop cover lock (D).
10. Turn the key a quarter turn to the left.
11. Slide the rolltop cover (C) upward.

2.2 Switching on

Switch the organ on with the on/off piston at the right, next to the manuals. Wait several seconds. Starting the control functions and the settings takes a little time.

The lamps of the on/off and 0 pistons light and the settings appear on the display.

2.3 Transport and storage

Pay attention to the following during transport and storage:

- Remove the music desk and the pedalboard from the organ.
- Relative humidity within the storage area: 10 to 90%.

2.4 Opening and closing the rolltop cover

The organ can be closed with a wooden rolltop cover that has a lock. The rolltop cover lock is behind the music desk.

Opening

1. Put the appropriate key in the rolltop cover lock.
2. Turn the key a quarter turn to the left. The lock now rises out of the rolltop.
3. Slide the rolltop cover upward.

Closing

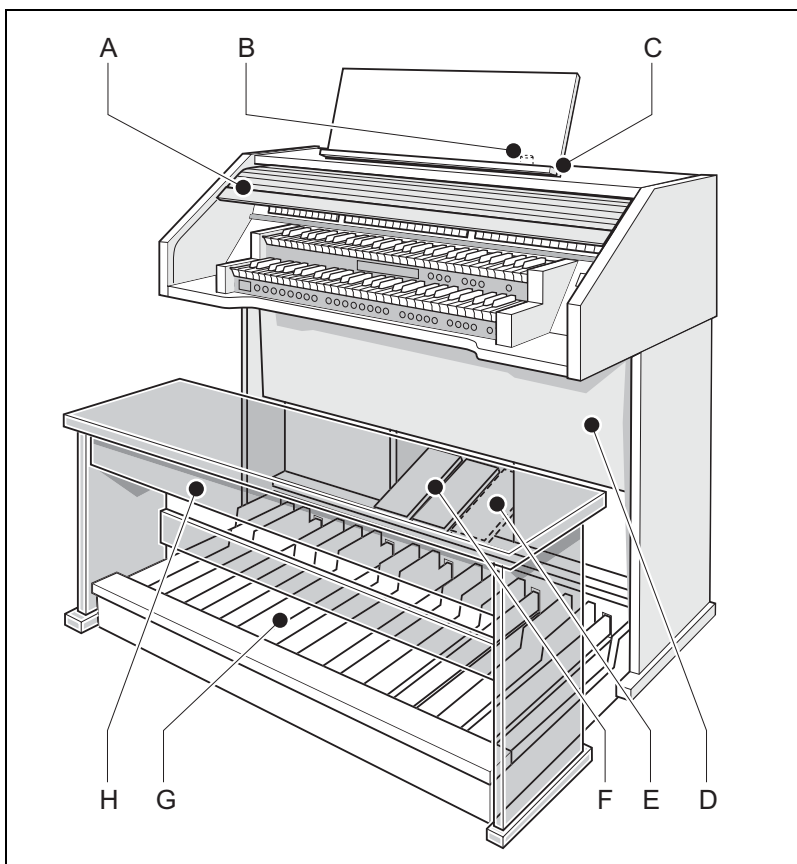


Never leave the key in the area that can be closed.

1. Slide the rolltop cover downward.
2. Press the rolltop cover lock in.
3. Turn the key a quarter turn to the right.

3 DESCRIPTION OF THE ORGAN

3.1 Overview of the main components



A Rolltop cover

B Rolltop cover lock

C Music desk

D Loudspeakers

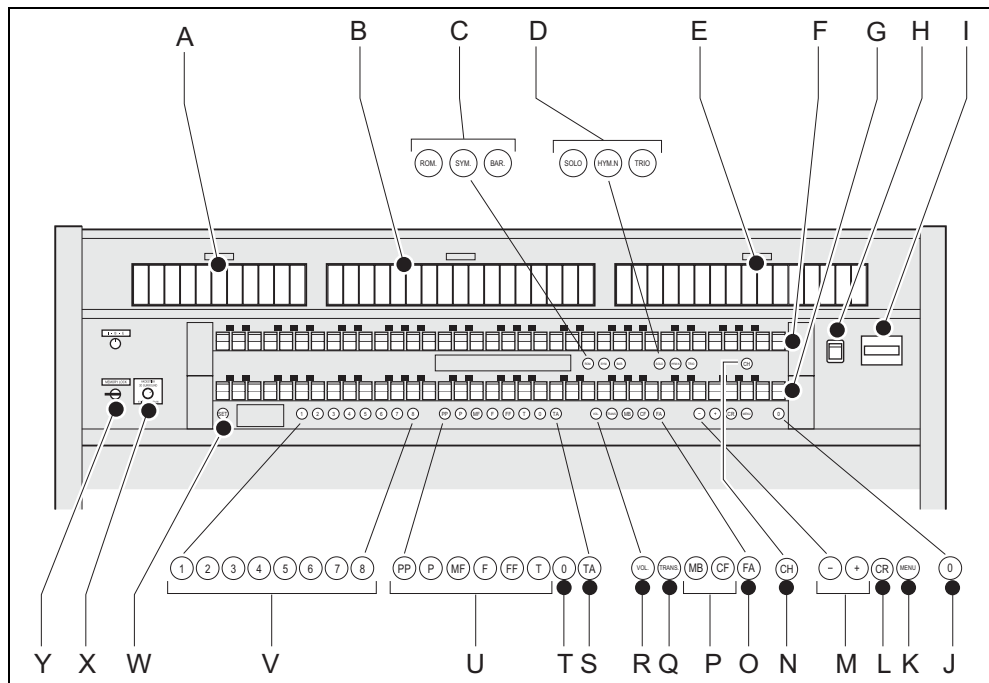
E General Crescendo pedal
(option)

F Expression pedals

G Pedal

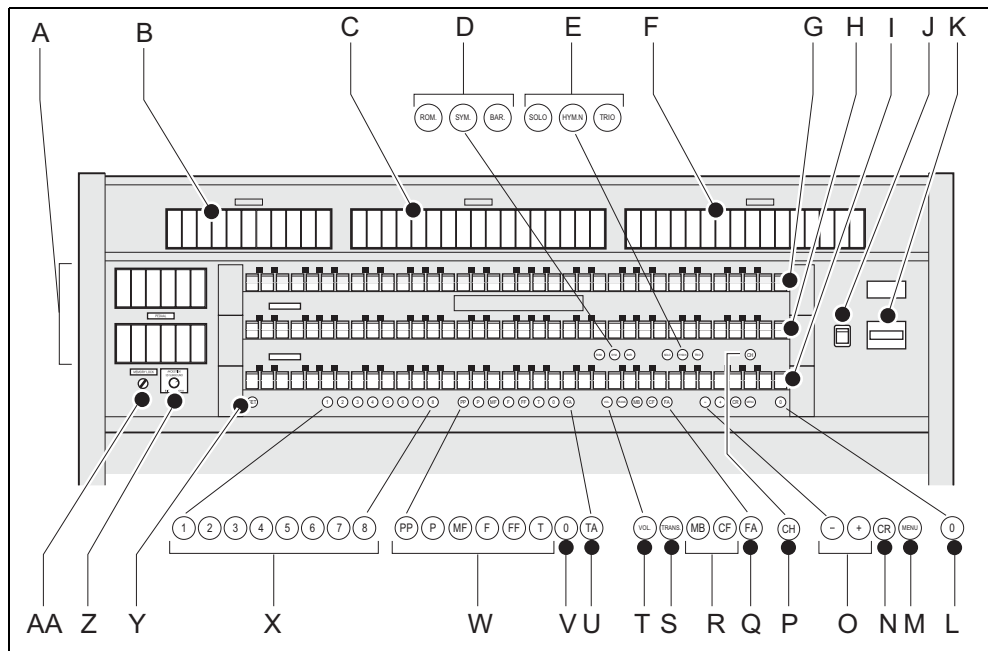
H Organ bench

3.2 Overview of the Opus 15 and 25 controls



- | | | | |
|---|----------------------------|---|--|
| A | Pedal stops | N | Chorus accessory |
| B | Great stops | O | Fix Accessories |
| C | Main group intonation | P | Manual Bass and Cantus Firmus couplers |
| D | Subgroup intonation | Q | Transposer |
| E | Swell stops | R | Volume |
| F | Swell manual | S | Reeds Off accessory |
| G | Great manual stops | T | 0-piston or reset piston |
| H | On/off | U | Preprogrammed memory locations |
| I | Display | V | Capture memory locations |
| J | 0-piston or reset piston | W | SET/Enter |
| K | MENU | X | Rotary control acoustics |
| L | General Crescendo (option) | Y | Memory lock |
| M | - and + pistons | | |

3.3 Overview of the Opus 35 controls



- | | | | |
|---|----------------------------|----|--|
| A | Pedal stops | O | - and + pistons |
| B | Choir stops | P | Chorus accessories |
| C | Great stops | Q | Fix Accessories |
| D | Main group intonations | R | Manual Bass and Cantus Firmus couplers |
| E | Subgroup intonations | S | Transposer |
| F | Swell stops | T | Volume |
| G | Swell manual | U | Reeds Off accessory |
| H | Great manual stops | V | 0-piston or reset piston |
| I | Choir manual | W | Preprogrammed memory locations |
| J | On/off | X | Capture memory locations |
| K | Display | Y | SET/Enter |
| L | 0-piston or reset piston | Z | Rotary control acoustics |
| M | MENU | AA | Memory lock |
| N | General Crescendo (option) | | |

3.4 Connecting and switching on the accessories

You can connect accessories (for example, a MIDI device) to the organ.

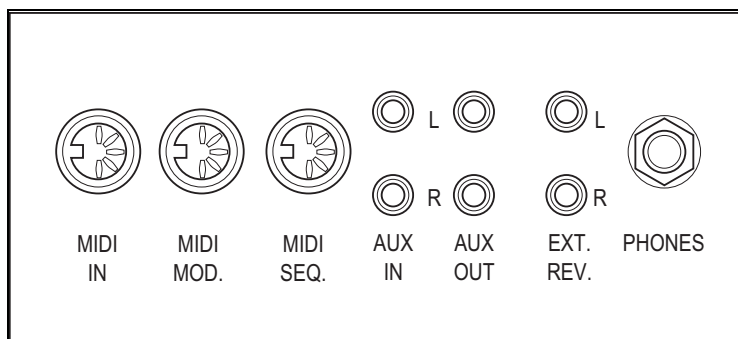


Follow the instructions provided in the documentation for the accessory.

1. Switch off the organ and the accessory.
2. Connect the accessory to the organ.
3. Switch the accessory on.
4. Switch the organ on.

3.5 External connections

The external connections are on the left under the console.



- **MIDI IN:** This is an input for receiving MIDI codes from other devices.
- **MIDI MOD.:** This is a programmable MIDI output for connecting a module or expander, for example.
- **MIDI SEQ.:** This is a non-programmable MIDI output for connecting a sequencer or PC (with the optional Johannus Intonat program), for example.
- **AUX IN:** This is a (stereo) input for playing the sound of an external device through the amplifiers of the organ. For example, an expander that is connected to the organ through the MIDI MOD. can be played through the instrument's loudspeakers.



The volume of the device that is connected through the AUX IN cannot be adjusted with the general volume or the expression pedals. However, this is possible if the volume setting of the external device is controlled by means of MIDI codes through the MIDI MOD. connection of the instrument.

-
- **AUX OUT:** This is an output for connecting an external (stereo) amplifier.
 - **EXT. REV.:** This is an output for connecting Johannus external acoustics. This is a system that imitates the spatial effect of a concert hall or cathedral.



Do not use this output for other purposes.

- **PHONES:** This connection for a (stereo) headphone is suited for a headphone with an impedance of 30 Ω or higher (see headphone specifications).



When the headphone is used, the internal and/or external loudspeakers of the organ are automatically switched off.

4 OPERATION

4.1 Expression pedals

Expression pedals adjust the volumes of the different divisions, Great stops/ Pedal and Swell stops/(Choir) (Choir is only possible with an organ that has three keyboards).

4.2 Acoustics

The acoustics rotary control produces a digital acoustic effect. This effect provides a spatial reproduction of the organ sound that can be adjusted smoothly.

- Press the switch on the rotary control in for a 2D echo (standard echo for clearer and more transparent sound).
- Pull the switch on the rotary control out for a 3D echo (extra addition to the echo for a fuller sound).

4.3 Intonations

The intonations are divided into a main group and a subgroup.

The main group consists of:

- **Romantic (ROM)**
- **Symphonic (SYM)**
- **Baroque (BAR)**

The subgroup consists of:

- **Classic**
- **Solo (SOLO)**
- **Hymn (HYMN)**
- **Trio (TRIO)**

1. Select a main group by pressing the ROM, SYM or BAR piston.
2. Then select a subgroup by pressing the SOLO, HYMN or TRIO piston.



If no subgroup is chosen, Classic is automatically selected.

4.4 Factory intonation

Saving the intonation settings



To save the intonation settings, you need the Johannus intonation program.

1. Connect a PC to the organ. Use the MIDI SEQ. output, see § 3.5.
2. Save the intonation settings on the PC using the intonation program from Johannus.

Restoring the factory intonation



The current intonation settings will be lost if the settings are not saved on a PC.

1. Switch the organ off.
2. Press pistons 1 and 8 in. Hold the pistons down.
3. Switch the organ on.
4. Wait until the lamp in the 0 piston lights.
5. Release pistons 1 and 8.

4.5 Stops

The stops are activated with rocker switches or through the stop memory.. See § 4.11.1. The lamp in the rocker switch goes on when the associated stop is active.

The stops are divided into three groups:

- **Pedal stops:** Select the stops controlled by the pedal organ.
- **Great stops:** Select the stops controlled by the great organ.
- **Swell stops:** Select the stops controlled by the swell organ.
- **Choir:** Select the stops controlled by the Choir stops.

4.6 Couplers

- **Manual coupler:** Couples all of the keys for the swell stops to the great stops. To activate the manual coupler, use the swell stop - great stop, choir, great stop or swell stop - choir (only for an organ with three keyboards).
- **Pedal coupler:** Couples all of the keys for the great stops or the swell stops to the pedal. Use the great stops - pedal or swell stops - pedal to activate the pedal coupler.

-
- **Manual Bass (MB)**: Couples one note from the great stops to the pedal. Only the lowest note that is played on the great stops is coupled to the pedal. Use the MB piston to activate the Manual Bass.
 - **Cantus Firmus (CF)**: Couples one note from the great stops to the swell stops. Only the highest tone played on the swell stops will be coupled to the great stops. Use the CF piston to activate the Cantus Firmus.

4.7 Accessories

- **Chorus (CH)**: Is a function for lightly detuning the organ stops to give it a broader and livelier sound. Use the CH piston to activate the Chorus.
- **Fix Accessories (FA)**: This is a function for fixing accessories. As long as this piston is switched on, the couplers and tremulants can only be switched on and off manually.
- **Reeds Off (RO)**: This is a function to switch all reeds off in one go. As long as this piston is switched on, no reeds can be switched on. When this function is switched off, the reeds that were on are switched on again. Use the RO piston to activate the Reeds Off function.
- **General Crescendo pedal (CR)** (option): This is a function for switching the General Crescendo pedal on and off. See § 4.11.11.

4.8 Changing the registration

The 0-piston cancels registrations in two ways:

- A short press on the 0-piston: Only the last change is cancelled.
- A long press on the 0-piston: All registrations are cancelled.

4.9 Memory lock

The memory lock protects your settings.

1. Turn the key switch to the right to set the memory to 'open'. The SET piston lights.
2. Turn the key switch to the left to set the memory to 'closed'. The SET piston goes out.



As long as the memory lock is closed, it is not possible to save new settings in the memory.

4.10 Preprogrammed memory locations

Preprogrammed memory locations are available by operating pistons PP to T. These six memory locations have factory settings (presets) appropriate for the quiet pianissimo to the loud tutti.

Calling up a preprogrammed memory location

1. Press a preprogrammed memory location (PP-T) in. The active stops light up.

Programming a preprogrammed memory location



The current setting of the preprogrammed memory location will be lost.



The programming of a preprogrammed memory location is limited to the text on the piston. For example, it is not advisable to program a pianissimo registration under the tutti piston.

1. Check that the key switch is to the right.
2. Select the desired stops.
3. Push the SET piston in. Hold the piston down.
4. Press the desired preprogrammed memory location (PP-T) in.
5. Release the preprogrammed memory location piston (PP-T).
6. Release the SET piston.

4.11 Easy Menu

The Easy Menu is an operating system whose settings can be read on the display. The Easy Menu is operated with the - and + pistons, the SET and the MENU pistons.



The functions in the Easy Menu can only be selected when the memory lock is open. This can be seen on the SET piston. If this is not lit, the memory lock is closed.

The Easy Menu consists of the following functions:

- Capture memory
- General volume
- Transposer
- Tuning Mode
- Temperaments
- Keyboard Mode
- Reset Procedures
- Data Dump
- Demo Songs
- Standard Intonation

-
- General Crescendo (option)
 - Programming MIDI stops

4.11.1 Capture memory

By using the capture memory, a registration can be activated with just one piston. The capture memory consists of eight levels. Each level has eight memory locations. These levels can be seen on the display (Mem: . .). The 64 capture memory locations are empty at the start and can be programmed by the musician.

Programming a capture memory location



The current setting of the capture memory location will be lost.

1. Select the desired stops.
2. Use the - and + pistons to select a level (1–8) on the display.
3. Push the SET piston in. Hold the piston down.
4. Push the desired memory location (1-8) in.
5. Release the SET piston.

Calling up a capture memory location

1. Use the - and + pistons to select the desired level (1–8) on the display.
2. Push the desired memory location (1-8) in. The active stops light up.

4.11.2 General Volume

The set volume can be read on the display (Vol: . .).



The volume can only be programmed when the VOL. piston is lit.

1. Push the VOL piston in.
2. Use the - and + pistons to set the volume.
3. Press the SET piston to save the volume in the memory.



The volume change is in the memory. When the organ is switched on again, the programmed volume will be active.

4.11.3 Transposer

The Transposer function shifts the pitch by half-tone increments (from -8 to +8). The set pitch can be read on the display (T_r: . .).



The pitch can only be programmed when the TRANS. piston is lit.

Changing the transposer

1. Push the TRANS piston in.
2. Use the - and + pistons to set the pitch.



The pitch shift is not stored in memory. When the organ is switched on again, the most recently programmed pitch will be active.

Programming the transposer

1. Push the TRANS piston in.
2. Use the - and + pistons to set the pitch.
3. Push the SET piston in.



The pitch shift is stored in memory.. When the organ is switched on again, the programmed pitch will be active.

4.11.4 Tuning Mode

The Tuning Mode function shifts the pitch in fourteen steps of 1 Hz (from 426 Hz to 454 Hz). The set pitch can be read on the display.

Programming the Tuning Mode

1. Push the MENU piston in.
2. Use the - and + pistons to select the `Tuning Mode` function on the display.
3. Push the SET piston in. The display shows the current tuning settings (`Adjust Tune: ...Hz`).
4. Use the - and + pistons to set the desired pitch.
5. Push the SET piston in. The selected settings are stored in the memory and you return automatically to the main menu.
6. Press the MENU piston in to exit the Easy Menu.

4.11.5 Temperaments

The Temperaments function sets the temperament.



This setting cannot be saved. When the organ is switched on again, this is automatically at Equal.

1. Push the MENU piston in.
2. Use the - and + pistons to select the `Temperaments` function on the display.
3. Push the SET piston in. The display shows the current temperament.
4. Use the - and + pistons to select the desired temperament.



You can choose from three temperaments:

- **Equal:** Normal or equal temperament
 - **Werckmeister III**
 - **¼ Meantone:** Meantone temperament
5. Press the MENU piston in to return to the main menu.
 6. Press the MENU piston in again to exit the Easy Menu.

4.11.6 Keyboard Mode

The Keyboard Mode function sets the operation of the keys.



This function is not available if the organ has wooden keyboards.

1. Push the MENU piston in.
2. Use the - and + pistons to select the `Keyboard Mode` function on the display.
3. Push the SET piston in. The display shows the current manual settings of one of the manuals.
4. Use the - and + pistons to select the manual whose settings must be changed.



- **Choir:** Choir stops (only for an organ with three keyboards)
- **Great:** Great stops
- **Swell:** Swell stops

5. Push the SET piston in.
6. Use the - and + pistons to select a setting for the operation of the keys.



- **High:** The keys respond when they are touched very lightly.
- **Low:** The keys respond when they are pressed further.
- **Velocity:** The keys are force-sensitive.

7. Push the SET piston in. The manual adjustments are now stored in memory.
8. Press the MENU piston in to return to the main menu.
9. Press the MENU piston in again to exit the Easy Menu.

4.11.7 Reset Procedures

The Reset Procedures function is used to delete the capture memory, or to reset a number of settings to the factory settings.

1. Push the MENU piston in.
2. Use the - and + pistons to select the `Reset Procedures` function on the display.
3. Push the SET piston in. The display shows the menu for the Reset Procedures.
4. Use the - and + pistons to select the desired procedure.



- **Memory:** Clear the entire capture memory.
- **MIDI:** Resets the factory settings of the MIDI stops.
- **Presets:** Resets the factory settings of the fixed combinations.
- **Crescendo** (option): Resets the factory settings of the General Crescendo.

5. Push the SET piston in. The display requests confirmation.
6. Use the - and + pistons for `No` or `Yes`.
7. Push the SET piston in for confirmation.
8. Press the MENU piston in to return to the main menu.
9. Press the MENU piston in again to exit the Easy Menu.

4.11.8 Data Dump Mode

The Data Dump Mode function sends settings from the organ to a storage medium (for example a sequencer) through the MIDI SEQ. output. See § 3.5.

1. Push the MENU piston in.
2. Use the - and + pistons to select the `Data Dump Mode` function on the display.
3. Push the SET piston in. The `Press Set piston` text appears on the display.
4. Make sure the desired storage medium is properly connected.
5. Push the SET piston in again. When data is being sent, `Sending data` appears on the display.



Do not use the organ when the text `Sending Data` is on the display.

6. Press the MENU piston in to return to the main menu.
7. Press the MENU piston in again to exit the Easy Menu.

4.11.9 Demo Songs

The Demo Songs function plays twelve different demo songs.

-
1. Push the MENU piston in.
 2. Use the - and + pistons to select the *Demo Songs*
 3. Push the SET piston in. The title and composer of the first demo song appear on the display.
 4. Use the - and + pistons to select one of the twelve demo songs.
 5. Press the SET piston in to select a demo song.
 6. Use the - and + pistons to choose whether to play the selected demo song (*play one*) or all demo songs (*play all*).
 7. Press the SET piston in to start playing the selected demo song(s) and.
 - a. Press the right 0 piston in for several seconds to stop playing the demo song.
 - b. Press the - and + pistons before or during playing to adjust the volume.
 8. After playing the demo song(s), press the MENU piston in. You return automatically to the main menu.
 9. Press the MENU piston in again to exit the Easy Menu.

4.11.10 Standard Intonation

The Standard Intonation function saves the desired standard intonation in the memory.

1. Push the MENU piston in.
2. Use the - and + pistons to select the *Std. Intonation* function.
3. Push the SET piston in. The display shows the set intonation.
4. Use the - and + pistons to select an intonation (*Romantic, Symphonic* or *Baroque*) that must be activated when the organ is switched on.
5. Push the SET piston in. The selected intonation is stored in the memory. After this, the *Chorus ON/ OFF* option appears on the display.
6. Use the - and + pistons to select if the Chorus (CH) accessory is switched on or off when the organ is switched on.
7. Push the SET piston in. The selected setting is stored in the memory and you return automatically to the main menu.
8. Press the MENU piston in to exit the Easy Menu.

4.11.11 General Crescendo pedal (option)

If the organ has a General Crescendo pedal, different registrations can be switched on in steps. These registrations start with very quiet (pianissimo) to very loud (tutti).

Activating the General Crescendo pedal

When the General Crescendo pedal is not activated, the CR: -- message is on the display.

1. Press the CR piston to activate the General Crescendo pedal. The display indicates which step is set.

Changing the General Crescendo pedal

The standard set stop combinations of the crescendo steps can be changed and stored in the memory.



Only step 0 cannot be changed.

1. First press the CR piston in and then the MENU piston.
2. Use the - and + pistons to select the step to be changed.
3. Set the desired registration for the step.
4. Push the SET piston in.
5. Select another step to be changed, if desired.
6. Press the MENU piston in to switch the programming function off.
7. Press the CR piston in to switch the General Crescendo function off.

4.11.12 Programming MIDI stops

MIDI is a protocol for communication between the organ and other devices, such as:

- PC
- Sequencer
- Other musical instruments

With the programmable MIDI stops, you can control any module voice (1-64) through any MIDI channel (1-8).

1. Push the MENU piston in. `MIDI Program` appears on the display.
2. Push the SET piston in. `MIDI :` appears on the display.
3. Select the MIDI stop to be programmed (for example `MIDI Swell stops`). On the display, after `MIDI :`, there now appears the selected stop.
4. Use the - and + pistons to select the desired MIDI channel (`Ch: . .`).
5. Push the SET piston in.
6. Use the - and + pistons to select the desired MIDI voice number (`Ch: . .`).
7. Push the SET piston in. The selected adjustments are now stored in memory.
8. Select another MIDI stop to be programmed, if desired.
9. Press the MENU piston in to return to the main menu.
10. Press the MENU piston in again to exit the Easy Menu.

5 MAINTENANCE, PROBLEMS AND WARRANTY

5.1 Maintenance

Overview

Component	Maintenance	Frequency
Cabinet	Cleaning. See § 5.1.1.	As required
Manuals	Cleaning and removing scratches. See § 5.1.2.	As required

5.1.1 Cabinet maintenance

The cabinet is made of solid wood and wood veneer.



- Do not use furniture polish or teak oil to clean the organ cabinet.
- Direct sunlight may discolour the organ cabinet.

1. Clean the cabinet with a damp cloth.
2. Rub the cabinet dry with a lint-free cloth.

5.1.2 Maintenance of the manuals

The manuals are made of plastic.



Do not use aggressive cleaning agents such as paint thinner or acetone to remove dirt.

1. Clean the manuals with a damp cloth.
2. Rub the manuals dry with a lint-free cloth.
3. Remove any scratches with car polish.

5.2 Problems

Overview

Problem	Cause	Solution
Pedal does not work properly	The pedal magnet is making poor contact with the magnetic switch at the rear of the pedalboard.	Reposition the pedal. See § 5.2.1.
Organ functions do not work properly	The organ is not earthed.	Connect the organ to an electrical outlet with an earth connection.

5.2.1 Repositioning the pedal

1. Make sure the organ is placed on a stable, horizontal surface.
2. Lean the organ slightly backward.
3. Slide the pedal against the pedalboard
4. Set the organ upright.
5. Make sure the pedalboard works properly.
6. Contact your dealer if the pedalboard does not work properly.

5.3 Warranty

The conditions are specified in the warranty certificate. The warranty becomes null and void if changes or repairs are made to the organ by persons or organisations that are not authorised by Johannus Orgelbouw b.v.

6 MIDI IMPLEMENTATIONS

6.1 MIDI Implementation Chart

JOHANNUS Organs
MIDI Implementation Chart

Date: April 2005
Version 1.00

MIDI Implementation Chart

Functions		Transmitted	Recognized	Remarks
Basic Channel	Default Changes	See MIDI Specs See MIDI Specs	See MIDI Specs Y ¹	See MIDI Specs
Mode	Default Messages Altered	Mode 3 N *****	Mode 3 N N	
Note Number	True Voice	36-96 *****		
Velocity	Note ON Note OFF	9nH v=1-127 9nH (v=64) 9nH (v=0)	9nH v=1-127 9nH v=1-127 9nH v=0, 8nH v=*	Velocity ON Velocity OFF *=irrelevant
After Touch	Keys Channels	N N		
Pitch Bend		N		
Control Change	7 11 100/101/6 100/101/6	Y Y Y Y	Y Y Y Y	General volume Expr. pedals Pitch Transposer
Program Change	: True#	See MIDI Specs *****	See MIDI Specs See MIDI Specs	See MIDI Specs See MIDI Specs
System Exclusive		See MIDI Specs	See MIDI Specs	See MIDI Specs
Common	: Song Pos : Song Sel : Tune	N N N	N N N	
System RealTime	: Clock : Commands	N N	N N	
Aux	: Reset All Contr. : Local ON/OFF : All Notes OFF : Active Sense : Reset	N N Y N N	N N Y N N	
Notes		¹ Depends on number of divisions		

Mode 1: OMNY ON, POLY
Mode 3: OMNY OFF, POLY

Mode 2: OMNY ON, MONO
Mode 4: OMNY OFF, MONO

Y = YES
N = NO

6.2 MIDI specifications

This paragraph contains more details about the specifications in the MIDI Implementation Chart.

Default basic channels (transmitted/recognized)

2-manual instrument (with standard keyboard layout):

- 1: Great stops
- 2: Swell stops
- 3: Pedal stops
- 12: Stops

3-manual instrument (with standard keyboard layout):

- 1: Choir stops
- 2: Great stops
- 3: Swell stops
- 4: Pedal stops
- 12: Stops

Basic channel changes (transmitted)

Can be programmed with the MIDI program.

Control changes (transmitted)

Controller 7 (07h) General volume, with volume values 40 (28h) - 127 (7Fh).

Controller 11 (0Bh) Expression pedals, with volume values 63 (3Fh) - 127 (7Fh).

Controller 6 (06h) Pitch, with pitch values 33 (21h) - 95 (5Fh).
Pitch value 64 (40h) = A = 440Hz.

The following applies to the pitch:

LSB 100(64h) 1(01h) and the MSB 101(65h) 0(00h).

Transposer, with transposer values 61 (3Dh) - 67 (43h).

Transposer value 64 (40h) = A = 440Hz.

The following applies to the transposer:

LSB 100(64h) 2(01h) and the MSB 101(65h) 0(00h).

Control changes (recognized)

Controller 7 (07h) General volume, transposer 0 (00h) -
127 (7Fh).

Controller 11 (0Bh) Expression pedals, transposer 0 (00Fh) -
127 (7Fh).

Program changes (transmitted/recognized)

Organ stops: This depends on the number of stops and the sequence of stops.

MIDI stops (programmable): 1-128.

System exclusive messages (transmitted/recognized)

Each 'sys ex' (system exclusive) message largely looks the same. The first 7 bytes and the last byte are always the same. Only the value of the 8th byte varies. This is the 'sys ex message' that Johannus generally uses: F0 00 4A 4F 48 41 53 XX F7 (hexadecimal).

Therefore, with the 'sys ex messages' described below, only the value of the 8th byte (XX) is given, and from which output it is transmitted.

All stops off

The 'all stops off' sys ex code is 7F. This sys ex code is transmitted through the MIDI SEQ. output when the 0 piston is pressed for a long time.

When an 'all stops off' sys ex code is received, all stops on the instrument are switched off.

Thumb piston values

When a piston is pressed, a sys ex code is transmitted with the value of the piston that is pressed (for example PP = 00 P = 01) through the MIDI MOD. output.

These sys ex codes are only important when the Johannus sound module CSM 128 is connected to your instrument.

Other MIDI codes (transmitted)

Press the 0 piston to transmit the sys ex code, 'all stops off' and all volume settings through the MIDI SEQ. output.

Sys ex code stops (Program Changes)

When a MIDI stop is switched on and off, besides the usual Program Change, an extra Program Change code (preceded by the sys ex code 3F) is transmitted through

the MIDI SEQ. output. This is to distinguish between a 'normal' organ stop and a MIDI stop before transmitting a module.

When a stop is switched on and off, the following codes are transmitted:

Organ stop: Through MIDI SEQ. : CB XX

MIDI stop: Through MIDI MOD. : CX XX

Through MIDI SEQ. : CB XX and 3F CX XX

INDEX

A

- Accessories 11, 15
- Acoustics 13

C

- Cantus Firmus 15
- Capture memory bank 17
 - calling up 17
 - rogramming 17
- CF 15
- CH 15
- Chorus 15
- Connection 6
- Couplers 14

E

- Easy Menu 16
- Expression pedals 8, 13
- External connections 11

F

- FA 15
- Factory intonation 14
 - restoring 14
 - saving 14
- FF 9, 10
- Fix Accessories 15

G

- General Crescendo 15
 - activating 23
 - changing 23
- General Volume 17

I

- Intonations 13

M

- Main components 8

- Manual Bass 15
- MB 15
- Memory lock 15
- MF 9, 10
- MIDI programming 24

O

- On 9
- Opus 9, 10

P

- Placement 6
- Preprogrammed memory locations . . 15
 - calling up 16
 - programming 16
- Problems 25

R

- Reeds Off 15
- RO 15
- Rolltop cover 7

S

- Safety 5
- SET button 10
- Stops 14
- Storage 7
- Switching on 7

T

- Transport 7
- Transposer 18
 - changing 18
 - programming 18
- Tuning Mode 19

W

- Warranty 26